

The photograph may not match the reference exactly.
Please read the product description to identify the finish.

TECHNICAL CHARACTERISTICS



Product Model:	D-200SLED25-8	D-200SLED40-16	D-200SLED60-24	D-200SLED25-28B	D-200SLED50-56B
IP Protection degrees:	IP66				
IK Protection degrees:	IK08				
Light source:	8 x LED CREE / 8 x LUXEON 5050	16 x LED CREE / 16 x LUXEON 5050	24 x LED CREE / 24 x LUXEON 5050	28 x LUXEON 3030	56 x LUXEON 3030
Total power consumption:	25W	40W	60W	25W	50W
Luminous Flux:	3125-3500Lm	5000-5600Lm	7500-8400Lm	3125Lm	6,250Lm
Luminous efficiency:	125-140Lm/w				
Color temperature:	4000K as standard. Optimal 2700K, 3000K & 5700K. Amber LED available				
Voltage/Frequency:	100-240V/50-60Hz				
Warranty(Years):	5				
Units per box:	1				
Net Weight(Kg)	6.8	6.9	6.9	6.8	6.9
Aerodynamic resistance (CxS)	0.095				

MATERIALS / FINISHES

Structure material: High purity aluminium	Aiffuser material: Glass
Structure finish: Silver	Diffuser finish: Transparent

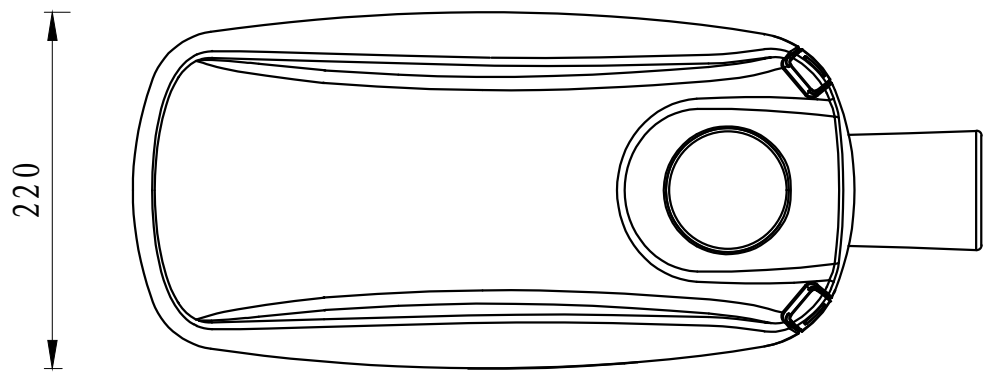
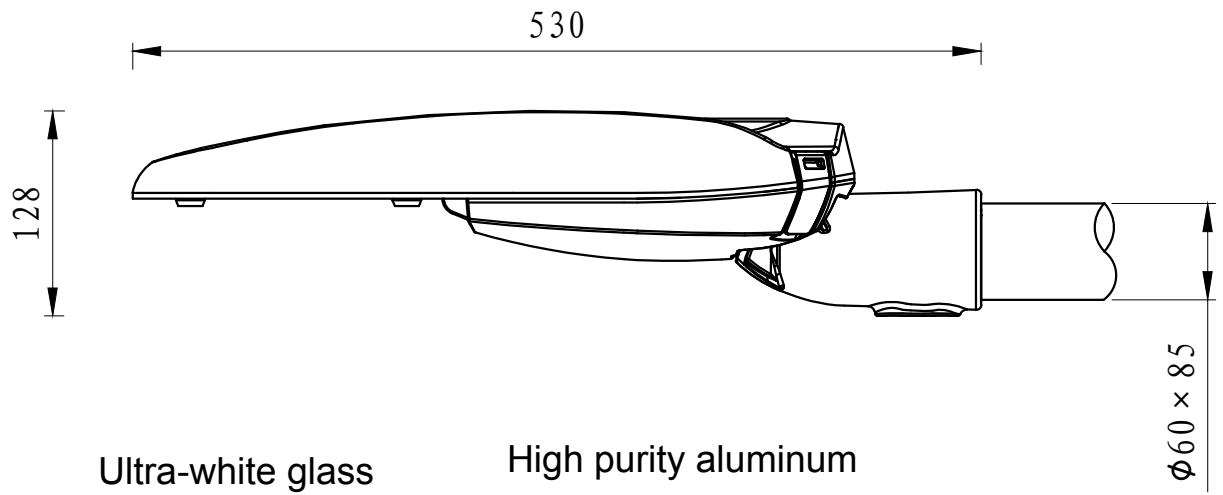
GEAR

Multi-voltage electronic gear included (100-240 V / 50-60 Hz)

Lm^(N): Nominal flow of light in actual working conditions. Its actual flow will depend on the environmental conditions and the efficiency of the optics and/or diffuser.

Kled reserves the right to make the necessary technical changes they deem adequate, in order to improve the features of the product.
Please consult the sales team to clarify any doubt.

Tel.: +86 574 62566 890
Email: info@kled.com.cn
<http://www.kled.com.cn/>



Ø76 Fixing Option

Installation template