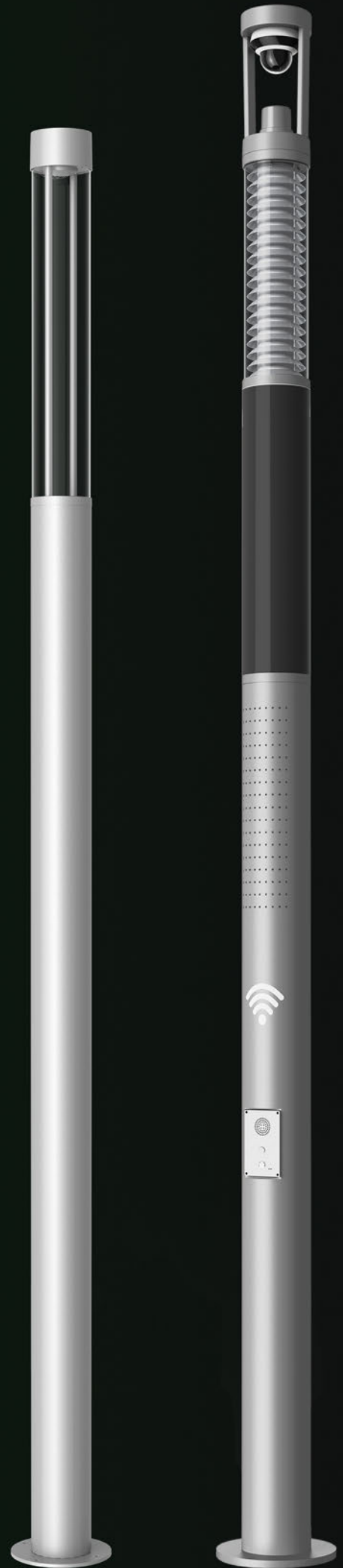


**KLED**  
**T-101/  
T-102** Serious  
*/ 50W-60W /*

**Urban lighting**

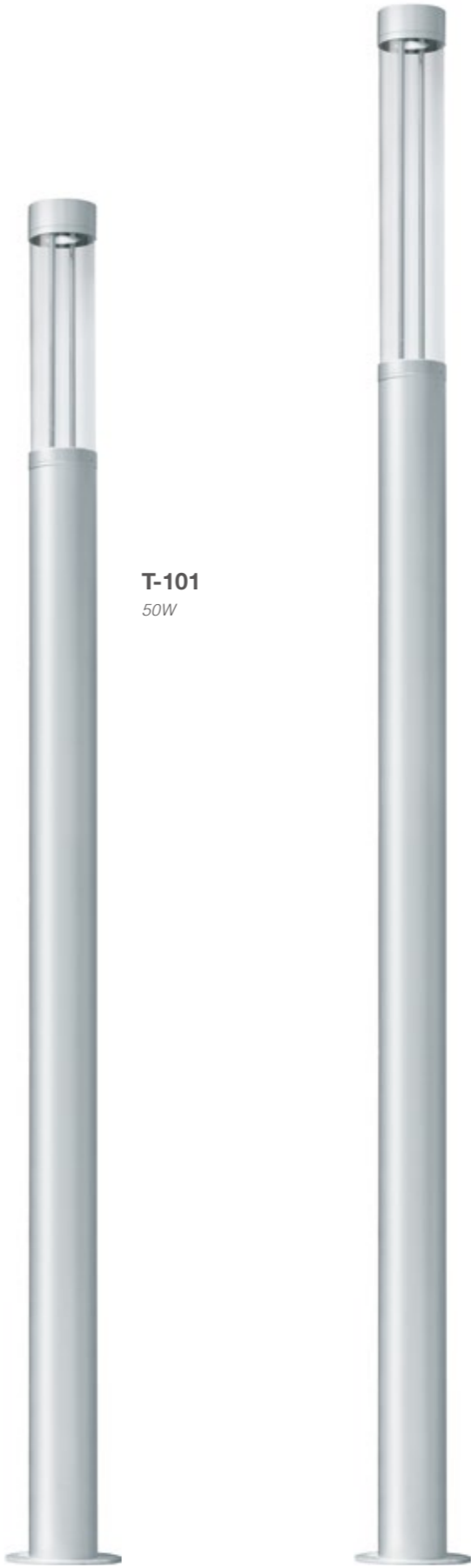
A Classic Residential Lighting  
with Mediterranean style





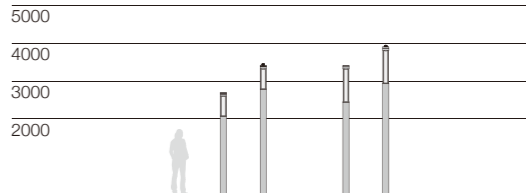


T-101 Series



T-101  
50W

T-101L  
50W



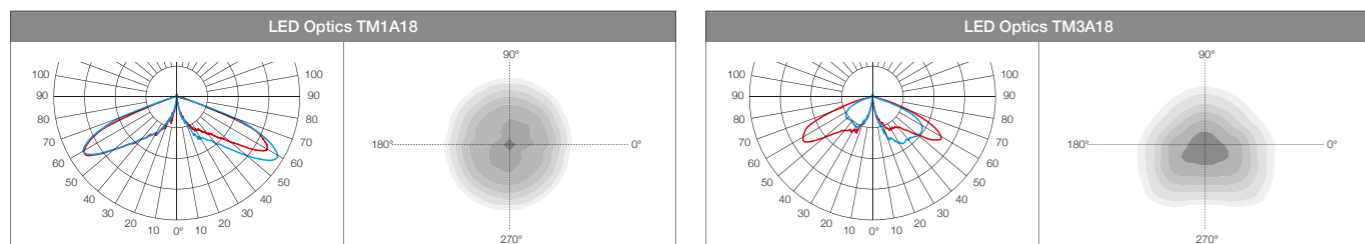
简述 Description



- 铝压铸上盖和铝合金型材灯柱，根据需要切割成不同灯杆高度，PC透明塑料罩
- 灯具配光有2种形式，顶部SMD光源加扩散罩，外加防眩格栅罩，具有很高视觉舒适性
- 驱动有0-10V / DALI / 编程电源选择，20KV浪涌保护器
- 模块式电器部件，安装更换方便
- 防紫外线聚氨酯粉末喷涂表面，盐雾测试可以达1000小时以上
- 无生物蓝光危害风险，符合EN62471: 2008标准
- 道路灯智能远程控制系统可选，可以与远程管理系统兼容
- 所有外部螺钉均为304不锈钢材质

- Die-casting aluminium top cover, extruded aluminium column pole, the height according to the client required, PC transparent diffuser.
- There are two forms of light distribution: Top SMD light source with diffusion cover and anti glare rouver.
- High quality LED chips, Driver with 0-10V/DALI/programmed options, and with surge protection up to 20KV.
- LED module is used inside, integrated electrical components which is easy to install and replace.
- Surface anti-ultraviolet pure polyester powder painting, Corrosion resistance can be more than 1000 hours.
- No photo-biological risk, (no risk linked to infrared, blue light and UV radiation) in accordance with EN 62471:2008.
- Street lighting control used with smart control technology. It can be compatible with remote management system.
- All external screws are made of 304 stainless steel.

应用透镜 Optics application



技术参数 Technology data



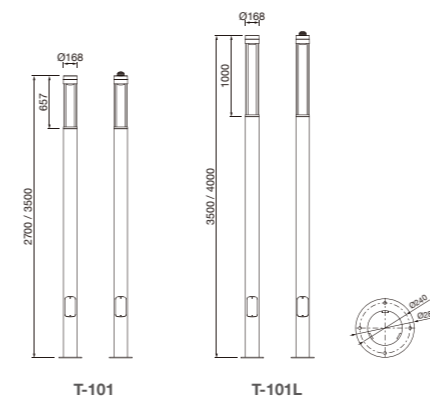
T-101

| Code              | Power | LED Qty | Optics        | Packing Size                             | Weight | Pcs/20" | Pcs/40" |
|-------------------|-------|---------|---------------|--|--------|---------|---------|
| LED chips - 5050  |       |         |               |  |        |         |         |
| T-101LED50-18H270 | 50W   | 18      | TM1A18/TM3A18 | 2750*295*295                             | 27     | 98      | 196     |
| T-101LED50-18H350 | 50W   | 18      | TM1A18/TM3A18 | Head: 1070*200*205<br>Pole: 2900*295*305 | 19     | 87      | 180     |

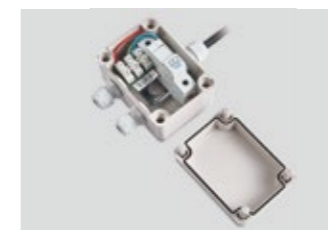


T-101L

| Code               | Power | LED Qty | Optics        | Packing Size                             | Weight | Pcs/20" | Pcs/40" |
|--------------------|-------|---------|---------------|--|--------|---------|---------|
| LED chips - 5050   |       |         |               |  |        |         |         |
| T-101LLED50-18H350 | 50W   | 18      | TM1A18/TM3A18 | Head: 1410*200*205<br>Pole: 2550*295*305 | 20     | 88      | 176     |
| T-101LLED50-18H400 | 50W   | 18      | TM1A18/TM3A18 | Head: 1410*200*205<br>Pole: 3050*295*305 | 11     | 49      | 147     |



独立防水电器部件  
Independent waterproof electrical components.



防水接线盒，内置保险断路器  
Waterproof junction box with built-in fuse circuit breaker.

可选配件 Accessories options

|                   | Code      |
|-------------------|-----------|
| 接线盒 Junction Box  | 230000199 |
| 基础螺杆 Anchor Bolts | 250000293 |





**一体式智慧庭院灯**  
**All-in-One Integrated Smart Column Lighting**



一款智能化的柱形景观灯，使用包含预认证硬件的即插即用可旋转模块，可以根据您的特定需求进行配置。

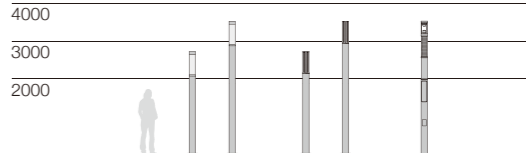
A smart column lighting is a connected, modular approach to city hardware. With plug-and-play rotatable modules that contain pre-certified hardware, it can be configured to suit your specific needs.

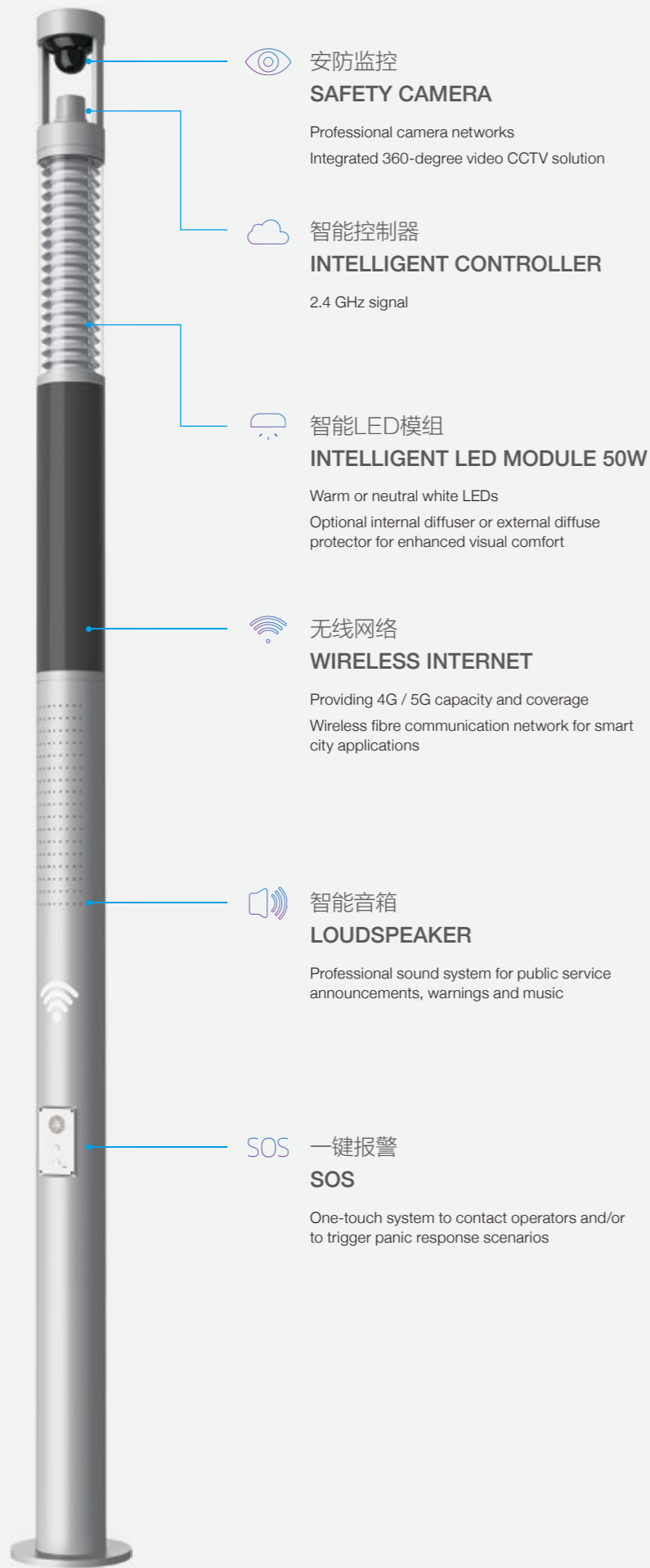


**T-102**  
60W



**T-102SM**  
60W





**电源插座**  
**POWER SUPPLY**  
Auxiliary power source  
Integrated fuse

**充电桩**  
**EV CHARGING**  
Professional charging station  
Safety locking during charging



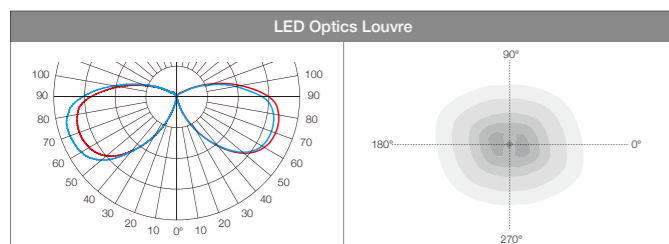
简述 Description



- 铝压铸上盖和铝合金型材灯柱，根据需要切割成不同灯杆高度，PC透明塑料罩
- 灯具中间SMD光源加扩散罩，外加防眩格栅罩，具有很高视觉舒适性
- 驱动有0-10V / DALI / 编程电源选择，20KV浪涌保护器
- 模块式电器部件，安装更换方便
- 防紫外线聚氨酯塑粉喷涂表面，盐雾测试可以达1000小时以上
- 无生物蓝光危害风险，符合EN62471: 2008标准
- 道路灯智能远程控制系统可选，可以与远程管理系统兼容
- 所有外部螺钉均为304不锈钢材质

- Die-casting aluminium top cover, extruded aluminium column pole, the height according to the client required, PC transparent diffuser.
- There with frosted glass and middle SMD light source with diffusion cover and anti glare rouver.
- High quality LED chips, Driver with 0-10V/DALI/programmed options, and with surge protection up to 20KV.
- LED module is used inside, Integrated electrical components which is easy to install and replace.
- Surface anti-ultraviolet pure polyester powder painting, Corrosion resistance can be more than 1000 hours.
- No photo-biological risk, (no risk linked to infrared, blue light and UV radiation) in accordance with EN 62471:2008.
- Street lighting control used with smart control technology. It can be compatible with remote management system.
- All external screws are made of 304 stainless steel.

应用透镜 Optics application

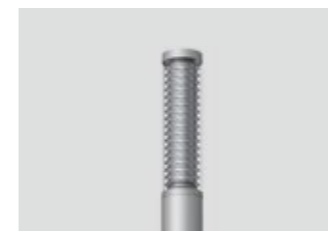


独立防水电器部件  
Independent waterproof electrical components.



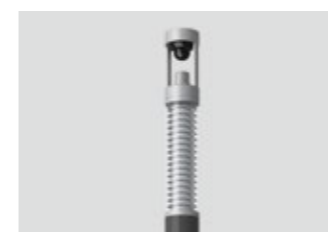
防水接线盒，内置保险断路器  
Waterproof junction box with built-in fuse circuit breaker.

技术参数 Technology data



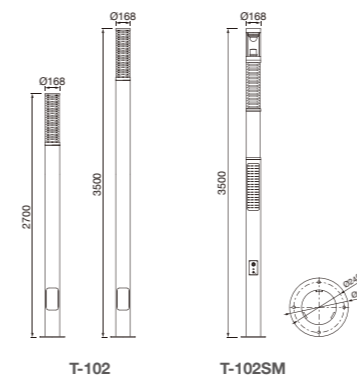
T-102

| Code               | Power | LED Qty | Optics | Packing Size                             | Weight | Pcs/20" | Pcs/40" |
|--------------------|-------|---------|--------|--|--------|---------|---------|
| LED chips - 2835   |       |         |        |  |        |         |         |
| T-102LED60-576H270 | 60W   | 576     | ROUVR  | 2750*295*295                             | 27     | 98      | 196     |
| T-102LED60-576H350 | 60W   | 576     | ROUVR  | Head: 1070*200*205<br>Pole: 2900*295*305 | 19     | 87      | 180     |



T-102SM

| Code                 | Power | LED Qty | Optics | Packing Size                             | Weight | Pcs/20" | Pcs/40" |
|----------------------|-------|---------|--------|--|--------|---------|---------|
| LED chips - 2835     |       |         |        |  |        |         |         |
| T-102SMLED60-576H350 | 60W   | 576     | ROUVR  | Head: 1750*200*205<br>Pole: 1850*295*305 | 22     | 116     | 246     |



延伸产品 More in family

SOLAR OPTIONS



TS-102  
Solar Lighting: 15W.

可选配件 Accessories options

|                   | Code      |
|-------------------|-----------|
| 接线盒 Junction Box  | 230000199 |
| 基础螺杆 Anchor Bolts | 250000293 |





— King-Bridge Lighting —



宁波金羽桥照明科技有限公司

NING KING-BRIDGE LIGHTING TECHNOLOGY CO.,LTD.

---

地址：浙江省余姚市阳明街道新桥工业区

Add: Xinqiao Industry Zone, Yangming Street, Yuyao City, Zhejiang Province, China

Tel: +86-574-6256 6890

Fax: +86-574-6256 6827

info@kled.com

---

国内营销中心：金羽桥照明科技（上海）有限公司

地址：上海市长宁区中山西路179号4K室

电话：189 1897 7928